

Fine Wire Staples

Fine wire staples are used in applications such as Roofing Felt, House Wrap, TV and Stereo Grille Cloth, Upholstery, Furniture Trim, Automotive Vinyl and Trim, Shoe making, Mirror and Picture Frames, Bedding, Furniture Frames, Molding and many others.

We test and approve all staples before they are manufactured to make sure they meet the highest quality standards for our customers.

22GA 71 Series Staples



Item	Our Spec.	Length		Pcs/Stick	Package		
		mm	inch		Pcs/Box	Bxs/Ctn	Ctns/Pallet
71/04	GAUGE:	4mm	5/32"	179Pcs	10000Pcs	20Bxs	60
71/06	22GA	6mm	1/4"	179Pcs	10000Pcs	20Bxs	60
71/08	CROWN:	8mm	5/16"	179Pcs	10000Pcs	20Bxs	60
71/10	9.0mm	10mm	3/8"	179Pcs	10000Pcs	20Bxs	60
71/12	WIDTH:	12mm	1/2"	179Pcs	10000Pcs	20Bxs	40
71/14	0.75mm	14mm	9/16"	179Pcs	10000Pcs	20Bxs	40
71/16	THICKNESS : 0.55mm	16mm	5/8"	179Pcs	10000Pcs	20Bxs	40

22GA 72 Series Staples

Item	Our Spec.	Length		Pcs/Stick	Package		
		mm	inch		Pcs/Box	Bxs/Ctn	Ctns/Pallet
72/04	GAUGE:	4mm	5/32"	179Pcs	10000Pcs	20Bxs	60
72/06	22GA	6mm	1/4"	179Pcs	10000Pcs	20Bxs	60
72/08	CROWN:	8mm	5/16"	179Pcs	10000Pcs	20Bxs	60
72/10	12.5mm	10mm	3/8"	179Pcs	10000Pcs	20Bxs	60
72/12	WIDTH:	12mm	1/2"	179Pcs	10000Pcs	20Bxs	40
72/14	0.75mm	14mm	9/16"	179Pcs	10000Pcs	20Bxs	40
72/16	THICKNESS : 0.55mm	16mm	5/8"	179Pcs	10000Pcs	20Bxs	40



22GA 14 Series Staples



Item	Our Spec.	Length		Pcs/Stick	Package		
		mm	inch		Pcs/Box	Bxs/Ctn	Ctns/Pallet
14/04	GAUGE:	4mm	5/32"	179Pcs	10000Pcs	20Bxs	60
14/06	22GA	6mm	1/4"	179Pcs	10000Pcs	20Bxs	60
14/08	CROWN:	8mm	5/16"	179Pcs	10000Pcs	20Bxs	60
14/10	10.0mm	10mm	3/8"	179Pcs	10000Pcs	20Bxs	40
14/12	WIDTH:	12mm	1/2"	179Pcs	10000Pcs	20Bxs	40
14/14	0.75mm	14mm	9/16"	179Pcs	10000Pcs	20Bxs	40
14/16	THICKNESS : 0.55mm	16mm	5/8"	179Pcs	10000Pcs	20Bxs	40

21GA 84 Series Staples



Item	Our Spec.	Length		Pcs/Stick	Package		
		mm	inch		Pcs/Box	Bxs/Ctn	Ctns/Pallet
84/06	GAUGE:	6mm	1/4"	125Pcs	10000Pcs	12Bxs	60
84/08	21GA	8mm	5/16"	125Pcs	10000Pcs	12Bxs	60
84/10	CROWN:	10mm	3/8"	125Pcs	10000Pcs	12Bxs	60
84/12	12.3mm	12mm	1/2"	125Pcs	10000Pcs	12Bxs	40
84/14	WIDTH:	14mm	9/16"	125Pcs	10000Pcs	12Bxs	40
84/16	0.95mm THICKNESS : 0.65mm	16mm	5/8"	125Pcs	10000Pcs	12Bxs	40

21GA 80 Series Staples

Item	Our Spec.	Length		Pcs/Stick	Package		
		mm	inch		Pcs/Box	Bxs/Ctn	Ctns/Pallet
80/04	GAUGE:	4mm	5/32"	125Pcs	10000Pcs	20Bxs	60
80/06	21GA	6mm	1/4"	125Pcs	10000Pcs	20Bxs	40
80/08	CROWN:	8mm	5/16"	125Pcs	10000Pcs	20Bxs	40
80/10	12.8mm	10mm	3/8"	125Pcs	10000Pcs	10Bxs	60
80/12	WIDTH:	12mm	1/2"	125Pcs	10000Pcs	10Bxs	40
80/14	0.95mm	14mm	9/16"	125Pcs	10000Pcs	10Bxs	40
80/16	THICKNESS : 0.65mm	16mm	5/8"	125Pcs	10000Pcs	10Bxs	40



21GA 97 Series Staples



Item	Our Spec.	Length		Pcs/Stick	Package		
		mm	inch		Pcs/Box	Bxs/Ctn	Ctns/Pallet
97/06	GAUGE:	6mm	1/4"	125Pcs	10000Pcs	12Bxs	60
97/08	21GA	8mm	5/16"	125Pcs	10000Pcs	12Bxs	60
97/10	CROWN:	10mm	3/8"	125Pcs	10000Pcs	12Bxs	60
97/12	4.5mm	12mm	1/2"	125Pcs	10000Pcs	12Bxs	60
97/14	WIDTH:	14mm	9/16"	125Pcs	10000Pcs	12Bxs	40
97/16	0.95mm	16mm	5/8"	125Pcs	10000Pcs	12Bxs	40
97/19	THICKNESS : 0.65mm	19mm	3/4"	125Pcs	10000Pcs	8Bxs	40
97/20		20mm	13/16"	125Pcs	10000Pcs	8Bxs	40
97/22		22mm	7/8"	125Pcs	10000Pcs	8Bxs	40
97/25		25mm	1"	125Pcs	10000Pcs	8Bxs	40

Fine Wire Staples

Fine Wire Staples

20GA 10J Series Staples



Item	Our Spec.	Length		Pcs/Stick	Package		
		mm	inch		Pcs/Box	Bxs/Ctn	Ctns/Pallet
10J/04	GAUGE: 20GA CROWN: 11.2mm WIDTH: 1.20mm THICKNESS : 0.60mm	4mm	5/32"	100Pcs	5000Pcs	40Bxs	40
10J/06		6mm	1/4"	100Pcs	5000Pcs	40Bxs	40
10J/08		8mm	5/16"	100Pcs	5000Pcs	40Bxs	40
10J/10		10mm	3/8"	100Pcs	5000Pcs	30Bxs	40
10J/13		13mm	1/2"	100Pcs	5000Pcs	30Bxs	40
10J/16		16mm	5/8"	100Pcs	5000Pcs	20Bxs	40
10J/19		19mm	3/4"	100Pcs	5000Pcs	20Bxs	40
10J/22		22mm	7/8"	100Pcs	5000Pcs	20Bxs	40
10J/25		25mm	1"	100Pcs	5000Pcs	10Bxs	40

20GA 50 Series Staples



Item	Our Spec.	Length		Pcs/Stick	Package		
		mm	inch		Pcs/Box	Bxs/Ctn	Ctns/Pallet
50/06	GAUGE: 20GA CROWN: 12.5mm WIDTH: 1.25mm THICKNESS : 0.50mm	6mm	1/4"	84Pcs	5000Pcs	20Bxs	60
50/08		8mm	5/16"	84Pcs	5000Pcs	20Bxs	60
50/10		10mm	3/8"	84Pcs	5000Pcs	20Bxs	60
50/12		12mm	1/2"	84Pcs	5000Pcs	20Bxs	40
50/14		14mm	9/16"	84Pcs	5000Pcs	20Bxs	40
50/16		16mm	5/8"	84Pcs	5000Pcs	20Bxs	40

20GA 4J Series Staples

Item	Our Spec.	Length		Pcs/Stick	Package		
		mm	inch		Pcs/Box	Bxs/Ctn	Ctns/Pallet
4J/06	GAUGE: 20GA CROWN: 5.2mm WIDTH: 1.20mm THICKNESS : 0.60mm	6mm	1/4"	100Pcs	5000Pcs	40Bxs	40
4J/08		8mm	5/16"	100Pcs	5000Pcs	40Bxs	40
4J/10		10mm	3/8"	100Pcs	5000Pcs	40Bxs	40
4J/13		13mm	1/2"	100Pcs	5000Pcs	30Bxs	40
4J/16		16mm	5/8"	100Pcs	5000Pcs	30Bxs	40
4J/19		19mm	3/4"	100Pcs	5000Pcs	24Bxs	40
4J/22		22mm	7/8"	100Pcs	5000Pcs	20Bxs	40
4J/25		25mm	1"	100Pcs	5000Pcs	20Bxs	40



20GA A11 Series Staples

Item	Our Spec.	Length		Pcs/Stick	Package		
		mm	inch		Pcs/Box	Bxs/Ctn	Ctns/Pallet
A11/06	GAUGE: 20GA CROWN: 10.55mm WIDTH: 1.25mm THICKNESS : 0.50mm	6mm	1/4"	84Pcs	5000Pcs	20Bxs	60
A11/08		8mm	5/16"	84Pcs	5000Pcs	20Bxs	60
A11/10		10mm	3/8"	84Pcs	5000Pcs	20Bxs	60
A11/12		12mm	1/2"	84Pcs	5000Pcs	20Bxs	60
A11/14		14mm	9/16"	84Pcs	5000Pcs	20Bxs	60
A11/16		16mm	5/8"	84Pcs	5000Pcs	20Bxs	60



20GA 88 Series Staples



Item	Our Spec.	Length		Pcs/Stick	Package		
		mm	inch		Pcs/Box	Bxs/Ctn	Ctns/Pallet
88/06	GAUGE: 20GA CROWN: 13.1mm WIDTH: 1.15mm THICKNESS : 0.60mm	6mm	1/4"	100Pcs	5000Pcs	40Bxs	40
88/08		8mm	5/16"	100Pcs	5000Pcs	40Bxs	40
88/10		10mm	3/8"	100Pcs	5000Pcs	30Bxs	40
88/13		13mm	1/2"	100Pcs	5000Pcs	30Bxs	40
88/16		16mm	5/8"	100Pcs	5000Pcs	20Bxs	40
88/19		19mm	3/4"	100Pcs	5000Pcs	20Bxs	40
88/22	22mm	7/8"	100Pcs	5000Pcs	20Bxs	40	

20GA STCR5019 Series Staples



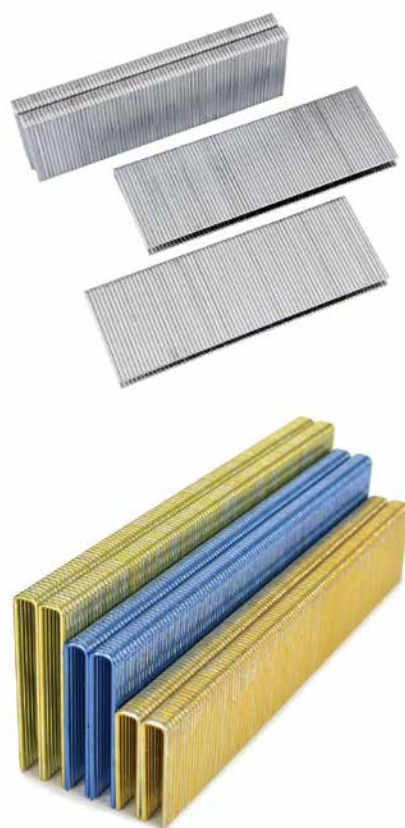
Item	Our Spec.	Length		Pcs/Stick	Package		
		mm	inch		Pcs/Box	Bxs/Ctn	Ctns/Pallet
STCR5019/06	GAUGE: 20GA CROWN: 11.2mm WIDTH: 1.25mm THICKNESS : 0.50mm	6mm	1/4"	84Pcs	5000Pcs	20Bxs	60
STCR5019/08		8mm	5/16"	84Pcs	5000Pcs	20Bxs	60
STCR5019/10		10mm	3/8"	84Pcs	5000Pcs	20Bxs	60
STCR5019/12		12mm	1/2"	84Pcs	5000Pcs	20Bxs	40
STCR5019/14		14mm	9/16"	84Pcs	5000Pcs	20Bxs	40
STCR5019/16		16mm	5/8"	84Pcs	5000Pcs	20Bxs	40

Medium Wire Staples

Medium wire staples are used in applications such as Fascia and Soffits, Molding, Cabinets, Trim, Case backs, Lattice, Paneling, Drawers, Spring Attachment-Upholstery, Fencing, Floor Underlayment, Hardwood flooring, Furniture Frames, Roof & Wall Cedar Shingles, Pallets and Pallet Repair, Vinyl/Metal Siding, Crate and Box Assembly, Sheathing and many others.

- Great for fascia and soffits, molding, cabinets, trim, casebacks, lattice, paneling, drawers, upholstery and more.
- Electrogalvanized finish helps resist corrosion and rust, recommended for interior use only.
- Chisel Point.
- The product is easy to use.

18GA 90 Series Staples



Item	Our Spec.	Length		Pcs/Stick	Package		
		mm	inch		Pcs/Box	Bxs/Ctn	Ctns/Pallet
90/10	GAUGE: 18GA	10mm	3/8"	100Pcs	5000Pcs	10Bxs	60
90/12		12mm	1/2"	100Pcs	5000Pcs	10Bxs	60
90/14	CROWN: 5.7mm	14mm	9/16"	100Pcs	5000Pcs	10Bxs	60
90/15		15mm	9/16"	100Pcs	5000Pcs	10Bxs	60
90/16	WIDTH: 1.25mm	16mm	5/8"	100Pcs	5000Pcs	10Bxs	60
90/18		18mm	5/7"	100Pcs	5000Pcs	10Bxs	40
90/19	THICKNESS : 1.05mm	19mm	3/4"	100Pcs	5000Pcs	10Bxs	40
90/21		21mm	13/16"	100Pcs	5000Pcs	10Bxs	40
90/22		22mm	7/8"	100Pcs	5000Pcs	10Bxs	40
90/25		25mm	1"	100Pcs	5000Pcs	10Bxs	40
90/28		28mm	1-1/8"	100Pcs	5000Pcs	10Bxs	40
90/30		30mm	1-3/16"	100Pcs	5000Pcs	10Bxs	40
90/32		32mm	1-1/4"	100Pcs	5000Pcs	10Bxs	40
90/35		35mm	1-3/8"	100Pcs	5000Pcs	10Bxs	40
90/38		38mm	1-1/2"	100Pcs	5000Pcs	10Bxs	40
90/40		40mm	1-9/16"	100Pcs	5000Pcs	10Bxs	40
90/45		45mm	1-3/4"	100Pcs	5000Pcs	6Bxs	40
90/50		50mm	2"	100Pcs	5000Pcs	6Bxs	40

18GA M Series Staples



Item	Our Spec.	Length		Pcs/Stick	Package		
		mm	inch		Pcs/Box	Bxs/Ctn	Ctns/Pallet
M/10	GAUGE: 18GA	10mm	3/8"	100Pcs	5000Pcs	10Bxs	40
M/12		12mm	1/2"	100Pcs	5000Pcs	10Bxs	40
M/16	CROWN: 9.9mm	16mm	5/8"	100Pcs	5000Pcs	10Bxs	40
M/19		19mm	3/4"	100Pcs	5000Pcs	10Bxs	40
M/20	WIDTH: 1.25mm	20mm	13/16"	100Pcs	5000Pcs	10Bxs	40
M/22		22mm	7/8"	100Pcs	5000Pcs	10Bxs	40
M/25	THICKNESS : 1.00mm	25mm	1"	100Pcs	5000Pcs	10Bxs	40
M/28		28mm	1-1/8"	100Pcs	5000Pcs	10Bxs	40
M/30		30mm	1-3/16"	100Pcs	5000Pcs	5Bxs	40
M/32		32mm	1-1/4"	100Pcs	5000Pcs	5Bxs	40
M/35		35mm	1-3/8"	100Pcs	5000Pcs	5Bxs	40
M/38		38mm	1-1/2"	100Pcs	5000Pcs	5Bxs	40
M/40		40mm	1-9/16"	100Pcs	5000Pcs	5Bxs	40

18GA 92 Series Staples

Item	Our Spec.	Length		Pcs/Stick	Package		
		mm	inch		Pcs/Box	Bxs/Ctn	Ctns/Pallet
92/12	18GA	12mm	1/2"	100Pcs	5000Pcs	10Bxs	40
92/14		14mm	9/16"	100Pcs	5000Pcs	10Bxs	40
92/15	CROWN: 8.9mm	15mm	9/16"	100Pcs	5000Pcs	10Bxs	40
92/16		16mm	5/8"	100Pcs	5000Pcs	10Bxs	40
92/18	WIDTH: 1.25mm	18mm	5/7"	100Pcs	5000Pcs	10Bxs	40
92/20		20mm	13/16"	100Pcs	5000Pcs	10Bxs	40
92/21	THICKNESS : 1.00mm	21mm	13/16"	100Pcs	5000Pcs	10Bxs	40
92/25		25mm	1"	100Pcs	5000Pcs	8Bxs	40
92/28		28mm	1-1/8"	100Pcs	5000Pcs	8Bxs	40
92/30		30mm	1-3/16"	100Pcs	5000Pcs	8Bxs	40
92/32		32mm	1-1/4"	100Pcs	5000Pcs	6Bxs	40
92/35		35mm	1-3/8"	100Pcs	5000Pcs	6Bxs	40
92/38		38mm	1-1/2"	100Pcs	5000Pcs	6Bxs	40
92/40		40mm	1-9/16"	100Pcs	5000Pcs	6Bxs	40



Heavy Wire Staples

Our collection of Heavy Wire Staples include 15 Gauge, 15.5 Gauge, 16 Gauge, and 17 Gauge staples.

These heavy-duty staples are great for a wide range of industrial, construction, and home uses including: Flooring, Pallet Construction, Roofing, Millwork, Door & Window Manufacturing, Crating, Insulation Installation, Lathing, Plywood, Packaging, Wall Paneling, Truss Manufacturing, Box Spring Manufacturing, Shingle Installation, and Radiant Floor Heating.

- **PREMIUM QUALITY:** Precision drawn wire assures consistent accurate pin optimized tensile strength for each staple's length.
- **HIGH DURABILITY:** Galvanized finish for greater rust resistance and Fewer too jams for finer carpentry and finishing and stainless steel staples won't corrode and stain natural finish woods or pressure treated lumber.
- **CHISEL POINT:** Chisel point nails deliver efficient and dependable performance.

15GA Q Series Staples



TENSILE STRENGTH:900~1000N/mm2

Item	Our Spec.	Length		Pcs/Stick	Package	
		mm	inch		Pcs/Ctn	Ctns/Pallet
Q/25	GAUGE: 15GA	25mm	1"	57Pcs	5000Pcs	100
Q/32		32mm	1-1/4"	57Pcs	5000Pcs	100
Q/38	CROWN:	38mm	1-1/2"	57Pcs	5000Pcs	100
Q/40	11.2mm	40mm	1-9/16"	57Pcs	5000Pcs	100
Q/45	WIDTH: 1.87mm	45mm	1-3/4"	57Pcs	5000Pcs	80
Q/50	THICKNESS: 1.64mm	50mm	2"	57Pcs	5000Pcs	80
Q/57		57mm	2-1/4"	57Pcs	5000Pcs	60
Q/64		64mm	2-1/2"	57Pcs	5000Pcs	60

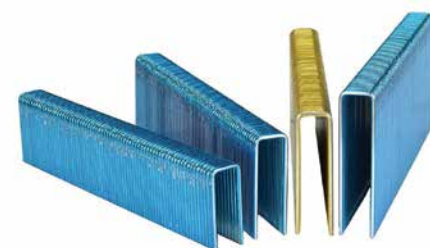
15GA BCS15 Series Staples

Item	Our Spec.	Length		Pcs/Stick	Package	
		mm	inch		Pcs/Ctn	Ctns/Pallet
BCS1512	GAUGE:15GA	38mm	1-1/2"	45Pcs	10000Pcs	60
BCS1514	CROWN:12.6mm		1-3/4"		5000Pcs	90
BCS1516	WIDTH:1.87mm		2"		5000Pcs	90



Heavy Wire Staples

16GA N Series Staples



Item	Our Spec.	Length		Pcs/Stick	Package	
		mm	inch		Pcs/Ctn	Ctns/Pallet
N/12	16GA CROWN: 10.8mm WIDTH: 1.58mm THICKNESS : 1.38mm	12mm	1/2"	70Pcs	20000Pcs	120
N/16		16mm	5/8"	70Pcs	10000Pcs	160
N/19		19mm	3/4"	70Pcs	10000Pcs	120
N/20		20mm	13/16"	70Pcs	10000Pcs	120
N/22		22mm	7/8"	70Pcs	10000Pcs	120
N/25		25mm	1"	70Pcs	10000Pcs	70
N/28		28mm	1-1/8"	70Pcs	10000Pcs	70
N/30		30mm	1-13/16"	70Pcs	10000Pcs	70
N/32		32mm	1-1/4"	70Pcs	10000Pcs	70
N/35		35mm	1-3/8"	70Pcs	10000Pcs	70
N/38		38mm	1-1/2"	70Pcs	10000Pcs	70
N/40		40mm	1-9/16"	70Pcs	10000Pcs	70
N/45		45mm	1-3/4"	70Pcs	10000Pcs	60
N/50		50mm	2"	70Pcs	10000Pcs	60
N/57		57mm	2-1/4"	70Pcs	10000Pcs	60
N/64	64mm	2-1/2"	70Pcs	10000Pcs	60	

16GA GS16 Series Staples

Item	Our Spec.	Length		Pcs/Stick	Package	
		mm	inch		Pcs/Ctn	Ctns/Pallet
GS16/16	16GA CROWN: 12.6mm WIDTH: 1.58mm THICKNESS : 1.38mm	16mm	5/8"	70Pcs	10000Pcs	80
GS16/19		19mm	3/4"	70Pcs	10000Pcs	80
GS16/22		22mm	7/8"	70Pcs	10000Pcs	80
GS16/25		25mm	1"	70Pcs	10000Pcs	80
GS16/28		28mm	1-1/8"	70Pcs	10000Pcs	80
GS16/30		30mm	1-3/16"	70Pcs	10000Pcs	80
GS16/32		32mm	1-1/4"	70Pcs	10000Pcs	80
GS16/35		35mm	1-3/8"	70Pcs	10000Pcs	70
GS16/38		38mm	1-1/2"	70Pcs	10000Pcs	70
GS16/40		40mm	1-9/16"	70Pcs	10000Pcs	70
GS16/45		45mm	1-3/4"	70Pcs	10000Pcs	60
GS16/50		50mm	2"	70Pcs	10000Pcs	60
GS16/55		55mm	2-1/6"	70Pcs	10000Pcs	60
GS16/60		60mm	2-1/3"	70Pcs	10000Pcs	60
GS16/64		64mm	2-1/2"	70Pcs	10000Pcs	60



Heavy Wire Staples

Heavy Wire Staples

16GA BCS4 Series Staples



Item	Our Spec.	Length		Pcs/Stick	Package	
		mm	inch		Pcs/Ctn	Ctns/Pallet
BCS4/16	GAUGE: 16GA CROWN: 12.25mm WIDTH: 1.58mm THICKNESS : 1.38mm	16mm	5/8"	70Pcs	10000Pcs	80
BCS4/19		19mm	3/4"	70Pcs	10000Pcs	80
BCS4/22		22mm	7/8"	70Pcs	10000Pcs	80
BCS4/25		25mm	1"	70Pcs	10000Pcs	80
BCS4/28		28mm	1-1/8"	70Pcs	10000Pcs	80
BCS4/32		32mm	1-1/4"	70Pcs	10000Pcs	80
BCS4/35		35mm	1-3/8"	70Pcs	10000Pcs	70
BCS4/38		38mm	1-1/2"	70Pcs	10000Pcs	70
BCS4/40		40mm	1-9/16"	70Pcs	10000Pcs	70
BCS4/45		45mm	1-3/4"	70Pcs	10000Pcs	70
BCS4/50	50mm	2"	70Pcs	10000Pcs	70	

16GA B7 Series Staples



Item	Our Spec.	Length		Pcs/Stick	Package	
		mm	inch		Pcs/Ctn	Ctns/Pallet
B7/16	GAUGE: 16GA CROWN: 11.11mm WIDTH: 1.58mm THICKNESS : 1.38mm	16mm	5/8"	70Pcs	10000Pcs	80
B7/19		19mm	3/4"	70Pcs	10000Pcs	80
B7/22		22mm	7/8"	70Pcs	10000Pcs	80
B7/25		25mm	1"	70Pcs	10000Pcs	80
B7/28		28mm	1-1/8"	70Pcs	10000Pcs	80
B7/32		32mm	1-1/4"	70Pcs	10000Pcs	80
B7/35		35mm	1-3/8"	70Pcs	10000Pcs	70
B7/38		38mm	1-1/2"	70Pcs	10000Pcs	70
B7/40		40mm	1-9/16"	70Pcs	10000Pcs	70
B7/45		45mm	1-3/4"	70Pcs	10000Pcs	70
B7/50	50mm	2"	70Pcs	10000Pcs	70	

16GA BCS2 Series Staples

Item	Our Spec.	Length		Pcs/Stick	Package	
		mm	inch		Pcs/Ctn	Ctns/Pallet
BCS2/16	GAUGE: 16GA CROWN: 25.0mm WIDTH: 1.58mm THICKNESS : 1.38mm	16mm	5/8"	70Pcs	10000Pcs	80
BCS2/19		19mm	3/4"	70Pcs	10000Pcs	80
BCS2/22		22mm	7/8"	70Pcs	10000Pcs	80
BCS2/25		25mm	1"	70Pcs	10000Pcs	80
BCS2/28		28mm	1-1/8"	70Pcs	10000Pcs	70
BCS2/30		30mm	1-3/16"	70Pcs	10000Pcs	70
BCS2/32		32mm	1-1/4"	70Pcs	10000Pcs	70
BCS2/35		35mm	1-3/8"	70Pcs	10000Pcs	70
BCS2/38		38mm	1-1/2"	70Pcs	10000Pcs	70
BCS2/45		45mm	1-3/4"	70Pcs	10000Pcs	70
BCS2/50	50mm	2"	70Pcs	10000Pcs	70	

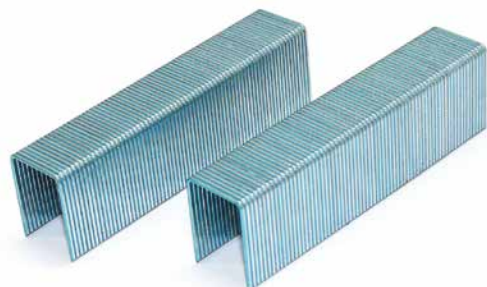


16GA P Series Staples

Item	Our Spec.	Length		Pcs/Stick	Package	
		mm	inch		Pcs/Ctn	Ctns/Pallet
P/12	GAUGE: 16GA CROWN: 26.5mm WIDTH: 1.58mm THICKNESS : 1.38mm	12mm	1/2"	70Pcs	10000Pcs	60
P/16		16mm	5/8"	70Pcs	10000Pcs	60
P/19		19mm	3/4"	70Pcs	10000Pcs	60
P/22		22mm	7/8"	70Pcs	10000Pcs	60
P/25		25mm	1"	70Pcs	10000Pcs	60
P/28		28mm	1-1/8"	70Pcs	10000Pcs	60
P/32		32mm	1-1/4"	70Pcs	10000Pcs	60
P/38		38mm	1-1/2"	70Pcs	10000Pcs	60
P/40		40mm	1-9/16"	70Pcs	10000Pcs	60
P/45		45mm	1-3/4"	70Pcs	10000Pcs	60
P/50	50mm	2"	70Pcs	10000Pcs	60	



16GA GSW16 Series Staples



Item	Our Spec.	Length		Pcs/Stick	Package	
		mm	inch		Pcs/Ctn	Ctns/Pallet
GSW16/16	GAUGE: 16GA CROWN: 23.2mm WIDTH: 1.58mm THICKNESS : 1.38mm	16mm	5/8"	70Pcs	10000Pcs	60
GSW16/19		19mm	3/4"	70Pcs	10000Pcs	60
GSW16/22		22mm	7/8"	70Pcs	10000Pcs	60
GSW16/25		25mm	1"	70Pcs	10000Pcs	60
GSW16/32		32mm	1-1/4"	70Pcs	10000Pcs	60
GSW16/38		38mm	1-1/2"	70Pcs	10000Pcs	60
GSW16/44		44mm	1-3/4"	70Pcs	10000Pcs	60
GSW16/50		50mm	2"	70Pcs	10000Pcs	60

17GA 14 Series Staples



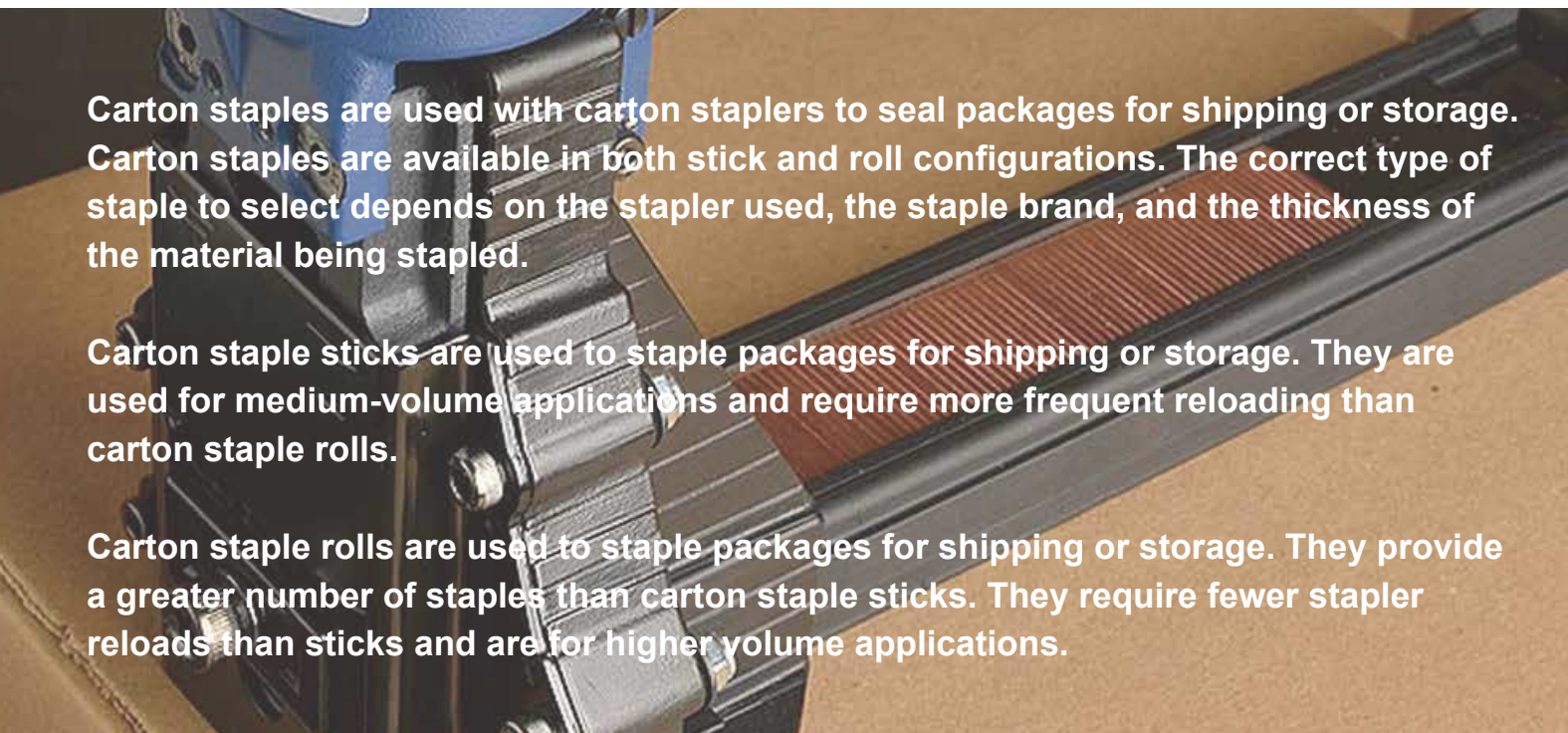
Item	Our Spec.	Length		Pcs/Stick	Package	
		mm	inch		Pcs/Ctn	Ctns/Pallet
14/18	GAUGE: 16GA CROWN: 10.6mm WIDTH: 1.45mm THICKNESS : 1.30mm	18mm	5/7"	75Pcs	10000Pcs	100
14/22		22mm	7/8"	75Pcs	10000Pcs	100
14/25		25mm	1"	75Pcs	10000Pcs	100
14/28		28mm	1-1/8"	75Pcs	10000Pcs	100
14/30		30mm	1-3/16"	75Pcs	10000Pcs	80
14/32		32mm	1-1/4"	75Pcs	10000Pcs	80
14/35		35mm	1-3/8"	75Pcs	10000Pcs	80
14/38		38mm	1-1/2"	75Pcs	10000Pcs	80
14/40		40mm	1-9/16"	75Pcs	10000Pcs	80
14/45		45mm	1-3/4"	75Pcs	10000Pcs	80
14/50	50mm	2"	75Pcs	10000Pcs	80	

Carton Staples

Carton staples are used with carton staplers to seal packages for shipping or storage. Carton staples are available in both stick and roll configurations. The correct type of staple to select depends on the stapler used, the staple brand, and the thickness of the material being stapled.

Carton staple sticks are used to staple packages for shipping or storage. They are used for medium-volume applications and require more frequent reloading than carton staple rolls.

Carton staple rolls are used to staple packages for shipping or storage. They provide a greater number of staples than carton staple sticks. They require fewer stapler reloads than sticks and are for higher volume applications.



15GA 35 Series Staples



Item	Our Spec.	Length		Pcs/Stick	Package		
		mm	inch		Pcs/Box	Bxs/Ctn	Ctns/Pallet
35/15	GAUGE:15GA CROWN:35mm WIDTH:2.3mm THICKNESS: 0.83mm	15mm	5/8"	50Pcs	2000Pcs	10	45
35/18		18mm	3/4"	50Pcs	2000Pcs	10	40
35/22		22mm	7/8"	50Pcs	2000Pcs	10	36

17GA 32 Series Staples

Item	Our Spec.	Length		Pcs/Stick	Package		
		mm	inch		Pcs/Box	Bxs/Ctn	Ctns/Pallet
32/15	GAUGE:17GA CROWN:32mm WIDTH:1.9mm THICKNESS: 0.83mm	15mm	5/8"	50Pcs	2000Pcs	10	40
32/18		18mm	3/5"	50Pcs	2000Pcs	10	36
32/19		19mm	3/4"	50Pcs	2000Pcs	10	36
32/22		22mm	7/8"	50Pcs	2000Pcs	10	36



Carton Staples

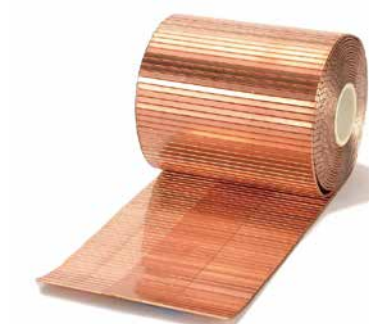
17GA SB103020 Series Staples



Item	Our Spec.	Length		Pcs/Stick	Package		
		mm	inch		Pcs/Box	Bxs/Ctn	Ctns/Pallet
SB103020-10	GAUGE:17GA CROWN:12.85mm WIDTH:2.25mm THICKNESS: 0.55mm	10mm	3/8"	50Pcs	3000Pcs	28	30
SB103020-13		13mm	1/2"	50Pcs	2800Pcs	24	30
SB103020-16		16mm	5/8"	50Pcs	4500Pcs	12	30

888/ JK555 Roll Carton Staples

Item:	888/ JK555 Roll Carton Staples
Fastener Type:	Roll Staples
Material:	Galvanized Wire, Copper Wire
Surface Finishing:	Zinc Plated, Copper Plated
Width:	0.074"(1.88mm)
Thickness:	0.037"(0.94mm)
Length:	5/8"(15mm) - 3/4"(18mm)
Packing:	1,000pcs/coil, 24 coils/carton or 5,000pcs/coil, 6 coils/carton



555-134 Roll Carton Close Staples



Item:	555-134 Roll Carton Close Staples
Fastener Type:	Roll Staples
Material:	Galvanized Wire, Copper Wire
Surface Finishing:	Zinc Plated, Copper Plated
Width:	0.074"(1.88mm)
Thickness:	0.037"(0.94mm)
Length:	5/8"(15mm) - 3/4"(18mm)
Packing:	1,000pcs/coil, 24 coils/carton or 5,000pcs/coil, 6 coils/carton

GR158 Roll Carton Close Staples

Item:	GR158 Roll Carton Close Staples
Fastener Type:	Roll Staples
Material:	Galvanized Wire, Copper Wire
Surface Finishing:	Zinc Plated, Copper Plated
Crown:	5/8 inch
Type:	GR158, GR134, GR178, GR558, GR534, GR578
Packing:	1,000pcs/coil, 24 coils/carton or 5,000pcs/coil, 6 coils/carton



Carton Staples

SWC7437 Roll Carton Staples

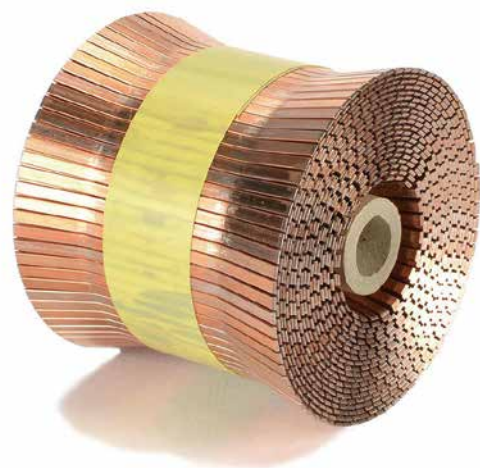


Item:	SWC7437 Galvanized Roll Carton Close Staples
Fastener Type:	Roll Staples
Material:	Galvanized Wire
Surface Finishing:	Zinc Plated
Crown:	1-3/8"(35mm)
Width:	0.074"(1.88mm)
Thickness:	0.037"(0.94mm)
Length:	5/8"(15mm) - 3/4"(18mm)
Packing:	1,000pcs/coil, 24 coils/carton or 5,000pcs/coil, 6 coils/carton

Item:	SWC7437-158 Copper Roll Carton Close Staples
Fastener Type:	Roll Staples
Material:	Steel
Surface Finishing:	Copper Plated
Crown:	1-3/8"(35mm)
Width:	0.074"(1.88mm)
Thickness:	0.037"(0.94mm)
Length:	5/8"(15mm) - 3/4"(18mm)
Packing:	1,000pcs/coil, 24 coils/carton or 5,000pcs/coil, 6 coils/carton



RR158 Roll Carton Staples



Item:	RR158 Roll Carton Close Staples
Fastener Type:	Roll Staples
Material:	Steel
Surface Finishing:	Copperized or Galvanized
Crown:	5/8 inch
Width:	0.074"(1.88mm)
Type:	RR158, RR558, RR134, RR534, RR178, RR578
Length:	5/8"(15mm) - 3/4"(18mm)
Packing:	1,000pcs/coil, 24 coils/carton or 5,000pcs/coil, 6 coils/carton

Fence Staples

Maximum toughness: these 10.5 gauge 1-9/16" Staples are made of galvanized steel to prevent rust and corrosion. They incorporate a barbed, Divergent tip for maximum holding power in the toughest of applications.

Many uses: these tough and durable glue collated galvanized staples are ideal for a variety of uses including livestock fencing, field fence, horse fencing, heavy mesh fencing, deer fencing, chain link fencing, and utility pole copper ground wire installation.

Tough and dependable: we supply an array of durable construction Tools and Accessories, including staplers and nailers For siding, flooring, framing, finish, and roofing.



10.5 Gauge Collated Fencing Staples



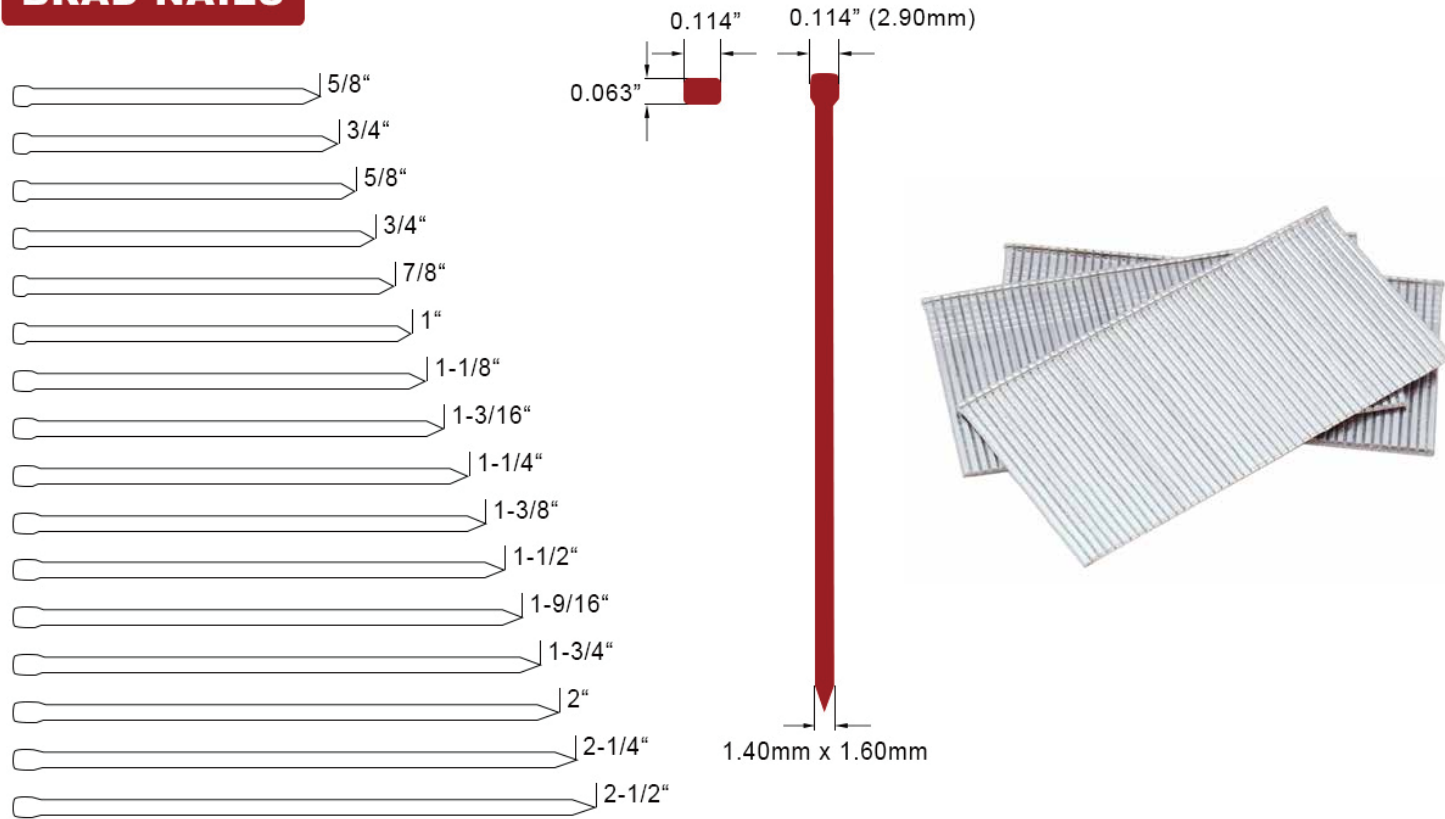
Item	Our Spec.	Length		Pcs/Stick	Package
		mm	inch		
KYA/32	GAUGE:10.5GA CROWN: 12.80mm THICKNESS: 3.15mm	32mm	1-1/4"	25Pcs	2000Pcs
KYA/40		40mm	1-9/16"	25Pcs	2000Pcs

Features:

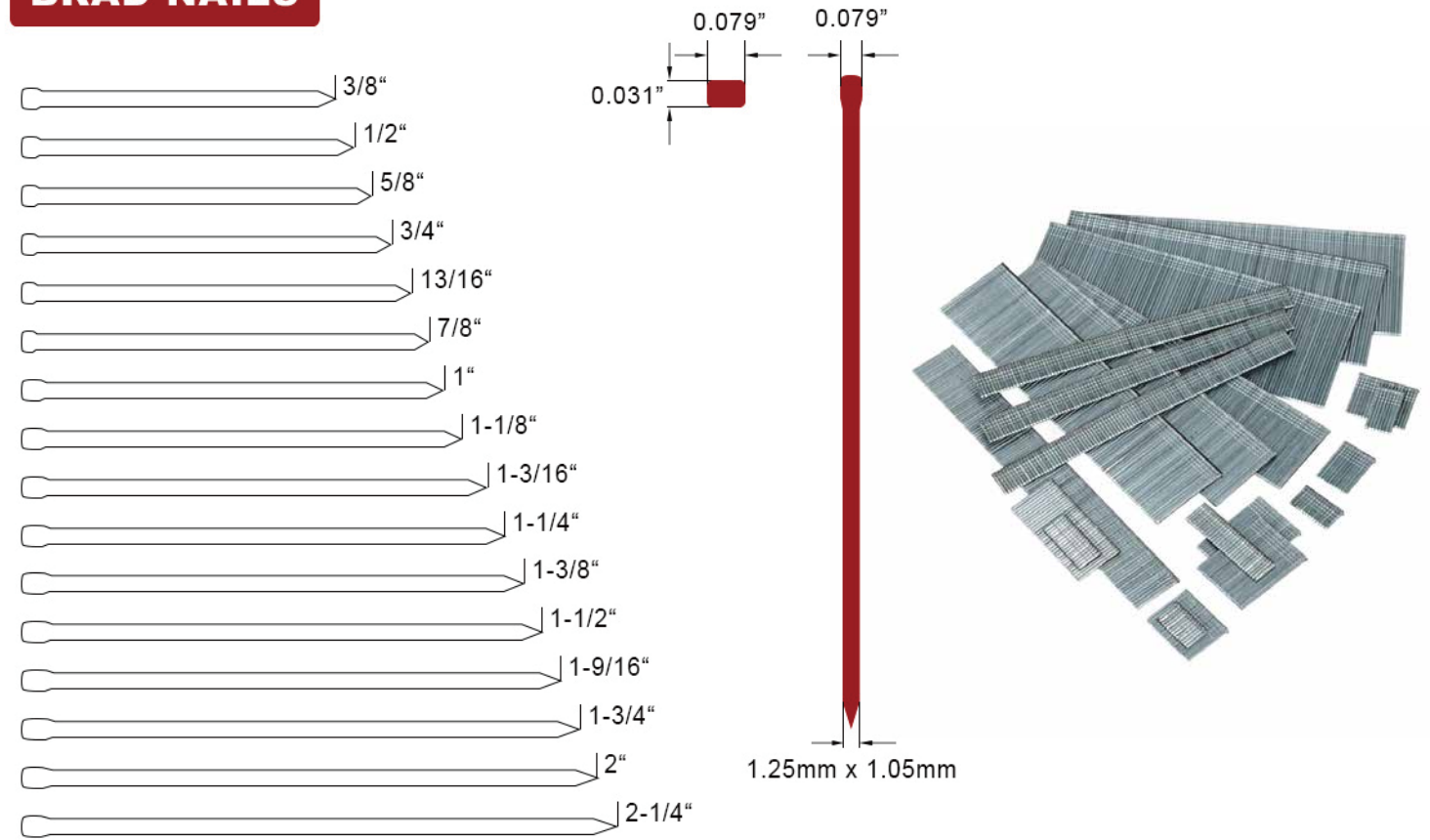
1. Made of steel for durability.
2. Maximum toughness: these 10.5 gauge 1-1/4" Staples are made of galvanized steel to prevent rust and corrosion. They incorporate a barbed, Divergent tip for maximum holding power in the toughest of applications.
3. Many uses: these tough and durable glue collated galvanized staples are ideal for a variety of uses including livestock fencing, field fence, horse fencing, heavy mesh fencing, deer fencing, chain link fencing, and utility pole copper ground wire installation.
4. Electro-galvanized coating provides corrosion resistance.
5. Quality and durability: We manufacture fasteners with the most durable materials under strict quality control guidelines.

16 Gauge Brad Nails

16 GAUGE BRAD NAILS



18 GAUGE BRAD NAILS



Item	Our Spec.	Length		Pcs/Stick	Package		
		mm	inch		Pcs/Box	Bxs/Ctn	Ctns/Pallet
T15		15mm	5/8"	50Pcs	2500Pcs	20Bxs	50
T16	GAUGE:	16mm	5/8"	50Pcs	2500Pcs	20Bxs	50
T19	16GA	19mm	3/4"	50Pcs	2500Pcs	20Bxs	50
T22	HEAD	22mm	7/8"	50Pcs	2500Pcs	20Bxs	50
T25	WIDTH:	25mm	1"	50Pcs	2500Pcs	20Bxs	50
T28	2.90mm	28mm	1-1/8"	50Pcs	2500Pcs	20Bxs	50
T30		30mm	1-3/16"	50Pcs	2500Pcs	20Bxs	50
T32	WIDTH:	32mm	1-1/4"	50Pcs	2500Pcs	20Bxs	50
T35	1.60mm	35mm	1-3/8"	50Pcs	2500Pcs	10Bxs	50
T38	THICKNESS	38mm	1-1/2"	50Pcs	2500Pcs	10Bxs	50
T40	: 1.40mm	40mm	1-9/16"	50Pcs	2500Pcs	10Bxs	50
T45		45mm	1-3/4"	50Pcs	2500Pcs	10Bxs	50
T50		50mm	2"	50Pcs	2500Pcs	10Bxs	50
T57		57mm	2-1/4"	50Pcs	2500Pcs	10Bxs	50
T64		64mm	2-1/2"	50Pcs	2500Pcs	10Bxs	50

Item	Our Spec.	Length		Pcs/Stick	Package		
		mm	inch		Pcs/Box	Bxs/Ctn	Ctns/Pallet
F10		10mm	3/8"	100Pcs	5000Pcs	30Bxs	60
F13		13mm	1/2"	100Pcs	5000Pcs	30Bxs	60
F15	GAUGE:	15mm	5/8"	100Pcs	5000Pcs	30Bxs	50
F16	18GA	16mm	5/8"	100Pcs	5000Pcs	30Bxs	50
F19	HEAD	19mm	3/4"	100Pcs	5000Pcs	20Bxs	50
F20	WIDTH:	20mm	13/16"	100Pcs	5000Pcs	20Bxs	50
F22	2.00mm	22mm	7/8"	100Pcs	5000Pcs	20Bxs	50
F25		25mm	1"	100Pcs	5000Pcs	20Bxs	50
F28	WIDTH:	28mm	1-1/8"	100Pcs	5000Pcs	20Bxs	50
F30	1.25mm	30mm	1-3/16"	100Pcs	5000Pcs	10Bxs	60
F32	THICKNESS	32mm	1-1/4"	100Pcs	5000Pcs	10Bxs	60
F35	: 1.05mm	35mm	1-3/8"	100Pcs	5000Pcs	10Bxs	60
F38		38mm	1-1/2"	100Pcs	5000Pcs	10Bxs	60
F40		40mm	1-9/16"	100Pcs	5000Pcs	10Bxs	60
F44		44mm	1-3/4"	100Pcs	5000Pcs	10Bxs	50
F45		45mm	1-3/4"	100Pcs	5000Pcs	10Bxs	50
F50		50mm	2"	100Pcs	5000Pcs	6Bxs	50
F57		57mm	2-1/4"	100Pcs	5000Pcs	6Bxs	50